



# Installation Instructions

## ROLL-UP CURTAIN DOORS

### WARNING!

*Improper installation of anchoring devices or installation into aged or unsound concrete block, or other wall material may result in premature product wear, product failure, property damage or serious personal injury.*



Service & Installation

Prior to beginning door installation, please thoroughly read the instruction manual in its entirety. Please feel free to contact Trac-Rite with any and all questions. Answering questions up front will greatly reduce installation miscues.

#### 1. GENERAL:

In this document, the following terms are defined as:

Warning: serious personal injury or death can result from failure to follow instructions.

Caution: minor injury or property damage can result from failure to follow instructions.

Note: special attention should be given to the instructions.

**NOTE: Do not install this rolling steel curtain door unless you read and understand the installation instructions!**

**DO NOT CUT THE BANDS WHICH HOLD THE DOOR CURTAIN IN A ROLL!** This is performed once the door has been hung in the opening.

Once the door has been installed, on the inside of the door curtain, you will find full door height strips of white felt tape. **DO NOT REMOVE THE FELT TAPE!** It is NOT packaging material.

#### 2. INSPECTION:

2.1 Door and Hardware: Upon receiving the door shipment, immediately inspect the door and the hardware for damage. Verify the product received with the packing list. Damages and/or shortages should be reported immediately to Trac-Rite customer service. Please have your bill of lading and packing list with you when reporting shortages or damage. Do not install damaged material without authorization from Trac-Rite.

#### 2.2 Door Opening Inspection:

Are the framed opening width and height the same dimensions as the door ordered?

Are the opening jambs plumb and square?

Is the floor level and square with the opening jambs?

Are jamb side clearances OK?

Is there adequate clearance above the door head?

Is there adequate clearance from the face of the wall horizontally?

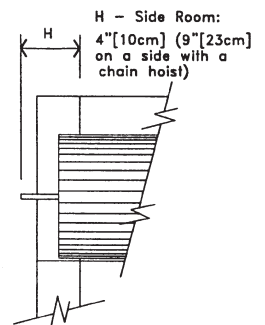
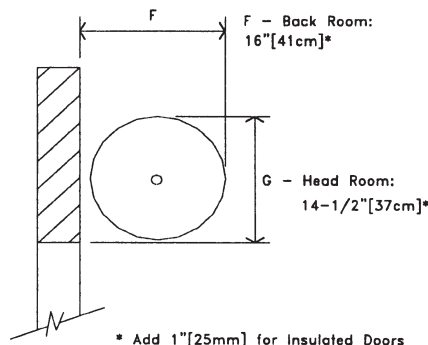
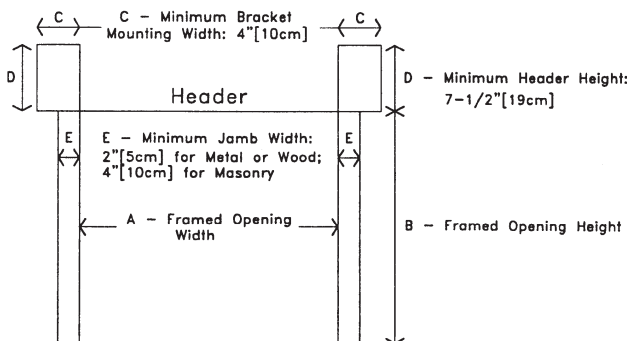
Are jambs structurally and/or dimensionally adequate to accept door brackets and guides? Trac-Rite is not responsible for the structural integrity of the jamb itself!

#### 3. PREPARATION:

3.1 Clean The Work Area: Remove all debris and sharp objects from the area where the door will be placed on the floor. Sweep the area clean. It is also recommended that the door curtain assembly be placed on a piece of cloth or cardboard. This will help ensure that finished door surfaces will not be damaged while the door is being prepared for installation.

#### 3.2 Assemble Recommended Tools:

- Wrenches or sockets - 7/16 and 1/2 sizes.
- Drill or screw gun and...
- 3/8 and 7/16 driver (wood mounting)
- 5/16 driver and 3/8 drill bit (steel mounting)
- 5/16 and 7/16 driver and 5/16 masonry bit (concrete or masonry mounting)
- C-clamps or vise grips, and pliers
- Safety Glasses



# Installation Instructions



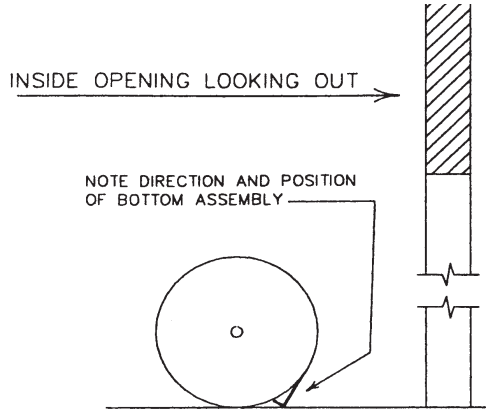
# R

## ROLL-UP CURTAIN DOORS

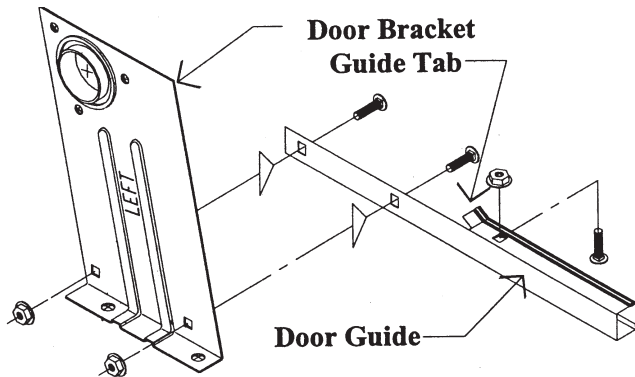
Service & Installation

### 4. BRACKET AND GUIDE ASSEMBLY:

4.1 Position the door in the opening. Be sure to place the door on a protective material to prevent damage to the curtain.

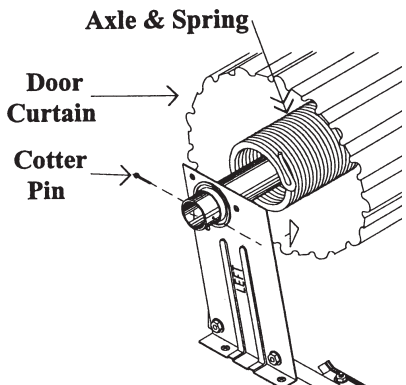


4.2 Bolt the left and right door brackets to the door guides with two (2) 5/16" track bolts and whiz nuts in each guide. MAKE CERTAIN BACK OF DOOR BRACKET AND DOOR GUIDES ARE FLUSH!!! Place one (1) 5/16" track bolt and whiz nut into each guide where the top stop will later be attached. DO NOT ATTACH THE STOPS AT THIS TIME.

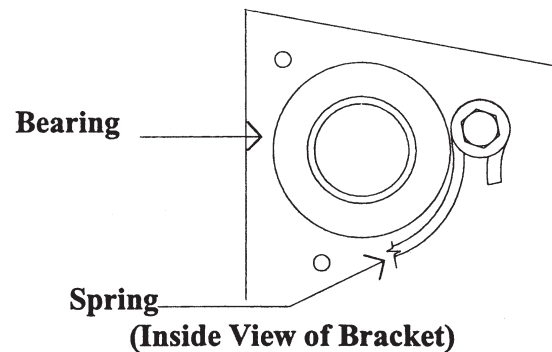
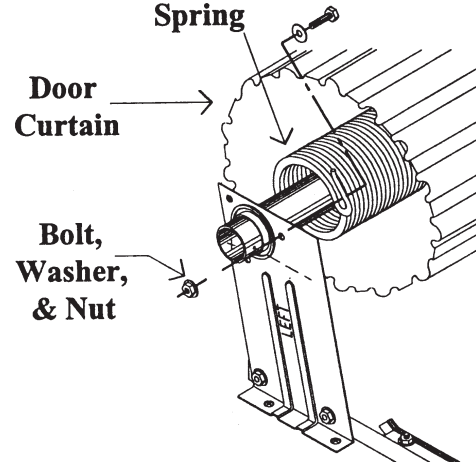


4.3 Bend the guide tabs at the top of both guides up slightly (about 1/4").

4.4 Slip the axle ends through the bearings in the door brackets. Install a cotter pin through the hole punched in each axle end to keep the door brackets in place.



4.5 Ensure that the door spring is in a relaxed position. Pass a 5/16" bolt with a flat washer through the loop in the end of the door spring and through the nearest of three holes in the door bracket. Secure with a 5/16" whiz nut. Repeat on the other end if the door comes with two (2) springs. ENSURE THAT THE SPRING FITS AROUND THE BEARING IN THE BRACKET BEFORE FINAL TIGHTENING.



### 5. DOOR MOUNTING:

**Caution!**  
Use Proper Lifting Equipment And Correct Lifting Procedures To Avoid Injury.

5.1 With one person on each end of the door, lift the curtain roll and position the door and guides in the approximate correct final position. **DO NOT LIFT THE DOOR BY THE GUIDES;** they will bend and become unusable!

Temporarily secure the door assembly to the door jamb with C-clamps, vise grips, or bar clamps.

A third person or lifting equipment may be required to help position larger doors.

5.2 Center the door in the opening with the door brackets perpendicular to the mounting surface. For steel jambs, drill 3/8" diameter holes through the holes in the door bracket, into the door jamb. (Hole sizes for masonry or wood may vary, depending on the type of fastener required. Verify the fastener size before drilling.)

(800) 733-5025  
FAX (800) 423-1512

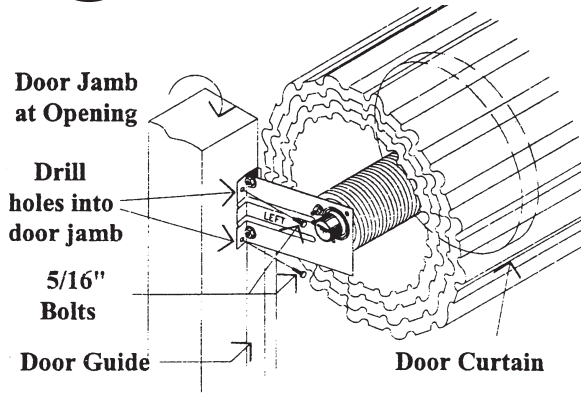


# Installation Instructions



## ROLL-UP CURTAIN DOORS

Service & Installation



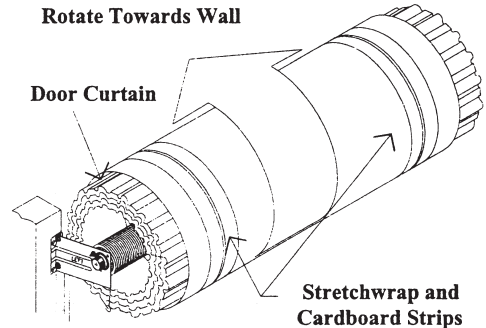
6.3 Bolt both door brackets in place with two (2) 5/16" bolts and nuts (for steel jambs) or the proper fastener for masonry or wood construction. After both door brackets are secured to the jambs, remove temporary clamping devices.

### 6. DOOR TENSIONING:

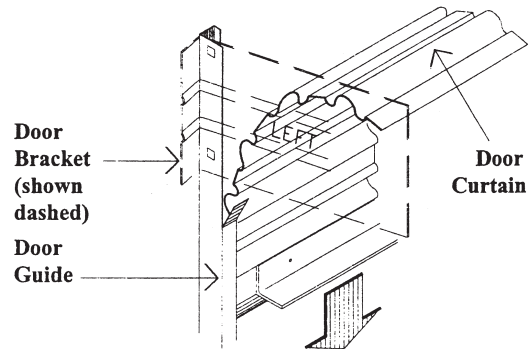
**WARNING!** Care must be taken that the door does not spin around freely, as this may cause personal injuries and damage to door curtain. Door is not free to spin until after step 7 is completed.

6.1 With the door spring(s) in a relaxed position, rotate the number of turns shown in the direction shown. Door balancing may require fine tuning.

6.2 Hold the bottom edge of the door tightly to prevent unwinding; remove the stretchwrap and cardboard strips wrapped around the door curtain and discard.



6.3 Guide the door curtain carefully into the door guides and pull it down to approximately waist level.



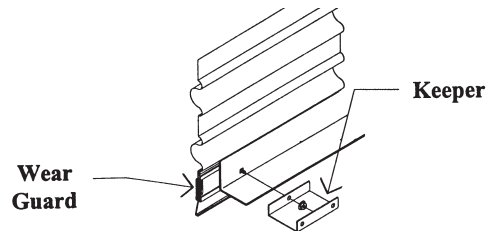
### Height

	3-0	4-0	5-0	6-0	7-0	7-5	8-3	9-0	9-10	10-0
3-0										
4-0	3									
5-0					4					
6-0	2									
7-0										
8-0										
8-5	3			4				2		
9-0					4				2	
10-0										
10-8									X	X

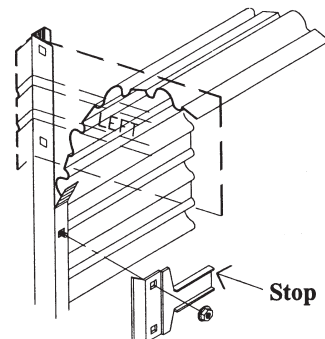
**Spring Tension  
(Number of Turns)**

### 7. TOP STOP ASSEMBLY:

7.1 Attach the two (2) keepers to the bottom interior edge of the door with one (1) 1/4" carriage bolt and whiz nut in each keeper.



7.2 Attach door stops to the guide through the top hole in the stop using the track bolts installed in step 4.2.



**Note:** Check the balance of the first door installed after Step 10, before installing all the doors this size. This will reduce a great deal of rework later.

# Installation Instructions



# R

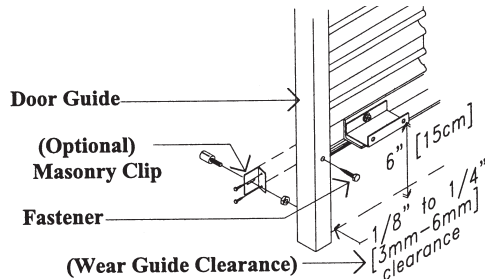
## ROLL-UP CURTAIN DOORS

Service & Installation

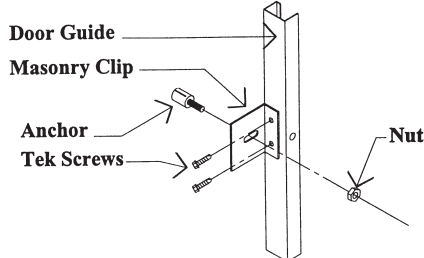
7.3 Test the door to ensure that it will travel up and down smoothly without any excessive force or binding. See Step 11 to adjust spring tension.

### 8. SECURING GUIDES:

8.1 Pull the door down to within 6 inches of the floor. Adjust door guide on the side with the slide lock so there is 1/8" to 1/4" clearance between the plastic wear guard on the bottom of the door curtain assembly and the inside of the door guide. On the opposite side the wear guard should just touch the inside of the guide.



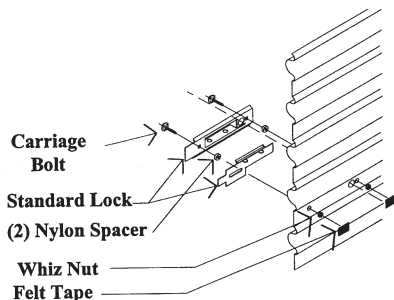
8.2 Attach the guides to the jambs with the fasteners provided (self-drilling sheet metal screws, lag bolts, or concrete anchors). For masonry anchors, align clip with hole on the front of guide and flush with the back of the guide. Attach the clip to the guide with two (2) tek screws. Drill a hole in the masonry and fasten the clip in place using anchors furnished.



### 9. EXTERIOR LOCK INSTALLATION:

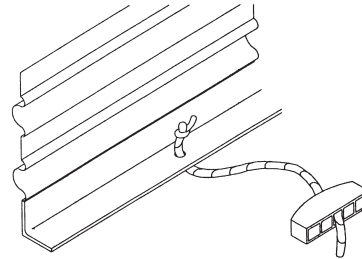
9.1 Install the lock, as shown, using the carriage bolts and whiz-nuts provided. When installing the standard Trac-Rite lock, place a nylon spacer over each 1/4" carriage bolt before pushing the bolts through the door panel. Note that the spacers fit into the slot in the lock bolt.

9.2 Apply a piece of felt tape over both whiz nuts on the inside face of the door to keep finished surfaces from becoming damaged.

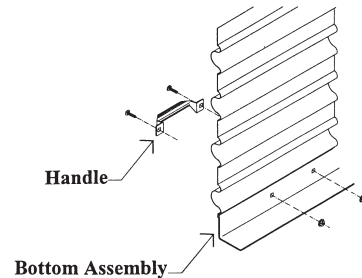


### 10. FINAL ASSEMBLY:

10.1 Pull Rope Handle: Tie a knot in one end of the rope. Slide the plastic handle onto the rope and pull the knot up into the handle. Pass the other end of the rope through the hole in the center of the bottom edge of the door and tie another knot in the end to keep the rope from pulling through.



10.2 Exterior Handle/Step Bar: Attach the handle to the bottom exterior edge of the door with two (2) 1/4" carriage bolts and whiz nuts provided.



10.3 Once door assembly is complete, close the door and pull the flap seal to the outside of the door. This assures a proper seal.

### 11. ADJUSTING DOOR SPRING TENSION:

11.1 To adjust door spring tension, first remove the door stops, keepers, and exterior handle.

**WARNING! Components under extreme spring tension can cause serious personal injury or death. Remove all tension from door before unbolting spring(s).**

Care must be taken that the door does not spin around free, as this may cause personal injury and damage to the door curtain.

11.2 Open the door but DO NOT allow it to come out of the guides. Strap two (2) ropes TIGHTLY around the door curtain and tie the curtain SECURELY as it comes out of the guides.

11.3 Carefully rotate the door toward the wall to increase tension, or away from the wall to reduce tension. Usually, only one turn either way is sufficient. If finer adjustment is needed, remove turns from Step 6.1 so NO tension is on spring(s). Unbolt spring(s) from bracket(s) and bolt the spring to one of the two remaining mounting holes.

11.4 Reassemble, beginning with Step 6.3. Make note of this adjustment so that any other doors of the same size can be tensioned the same as they are installed.



(800) 733-5025  
FAX (800) 423-1512



# Installation Instructions



## ROLL-UP CURTAIN DOORS

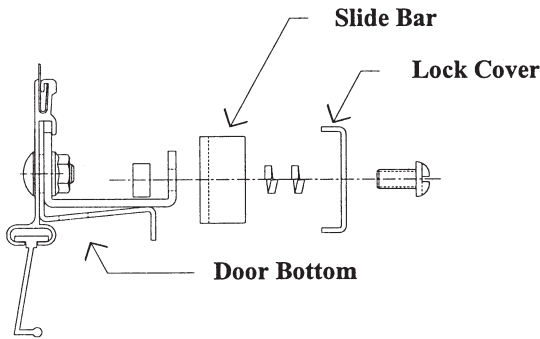
Service & Installation

### 12. OPTIONAL FIELD INSTALLED DRAFT STOP

12.1 Place the door in the down position before starting to install the draft stop. Note that with the door down, the curtain may bow slightly near the top toward the inside; this bowing is normal. For the draft stop to be effective, it should follow the "bow" in the door curtain so that it stays in contact across the entire width of the door curtain.

### 13. OPTIONAL INTERIOR LOCK INSTALLATION

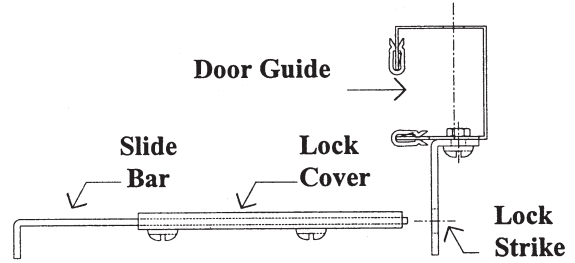
13.1 Position the door at waist level.



13.2 Assemble components, noting that two (2) high collar lock washers are placed over each 1/4" one-way screw to allow the lockbar to slide freely.

13.3 As the 1/4" screws are being tightened, move the lockbar to assure that the high collar lock washers are inside the slots in the lockbar.

13.4 Mount the lock strike to the bottom of each guide with two (2) #10 one-way screws and nuts through the pre-punched holes.



**CAUTION!** Excessive force in operation may cause damage to the door.

### 14. OPTIONAL HOOD INSTALLATION GUIDE

14.1 UNPACK AND IDENTIFY ALL PARTS. HOOD PACKAGE SHOULD CONTAIN THE FOLLOWING ITEMS: (PART NOS. [P/N] ARE SHOWN ON DRAWING.)

- 40 EA. - P/N #060600, #12 x 3/4 SELF-DRILLING HEX HEAD SCREW
- 2 EA. - P/N #500601, 940 HOOD END MOUNT BRACKET ASSEMBLY
- 1 EA. - P/N #500603, 940 HOOD STIFFENER
- 2 EA. - P/N #50059\*, 940 HOOD END TRIM
- 1 EA. - P/N #5006\*0, 940 HOOD ASSEMBLY

\* REFERS TO COLOR NUMBER: 1-ORANGE; 2-POLAR BLUE; 3-ROYAL BLUE; 4-MIST WHITE; 5-DESERT TAN; 6-CONTINENTAL BROWN; 7-GARNET; 8-ICE WHITE; 9-SEPIA BROWN; 0-EVERGREEN

14.2 Place end trim pieces on a clean, flat surface. Using end mounting bracket as a template, trim two corners to match bracket radius. Set trim pieces aside for later installation in Step 9.



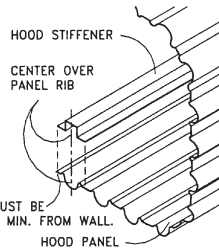
14.3 Mount end brackets to wall surface with FLANGES FACING TOWARDS DOOR, spaced at door width plus 12 inches apart, centered on the door opening. Locate bottom edge of brackets 1 inch below installed door height.



HOOD END TRIM (SEE STEPS 14.2 AND 14.9.)

14.4 Trim hood stiffener to length to fit between end brackets. (Door width plus 11 inches is usually adequate.) (See Stiffener Detail Above.)

14.5 Center hood over brackets with ends overhanging brackets 1/4 inch each end. Attach top flange (Edge with 90 degree bend up) to wall with suitable fasteners (NOT SUPPLIED) spaced at approximately 24 inches on center.



STIFFENER DETAIL (SEE STEPS 14.4 AND 14.7.)

3 FACTORY PUNCHED HOLES IN WALL MOUNTING FLANGE ONLY

END BRACKET FLANGES FACE TOWARDS DOOR (TYPICAL, SEE STEP 14.3.)

END MOUNT ASSEMBLY P/N #500601 (SEE STEP 14.3.)

HOOD END TRIM P/N #50061\* (SEE STEPS 14.2 AND 14.9.)

HOOD STIFFENER P/N #500603 (SEE STEPS 14.4 AND 14.7.)

SELF-DRILLING SCREW (P/N #060600) EVERY OTHER FLAT (SEE STEPS 14.6 AND 14.8.)

HOOD PANEL ASSEMBLY P/N #5006\*0 (SEE STEP 14.5.)

14.7 Locate stiffener between end brackets and center over hood rib nearest the wall (See Detail Above). NOTE!! Edge of hood must be 3 3/4" from wall. Fasten with self-drilling screws to the end bracket bottom flanges and at between 24 and 36 inches on center along the hood rib.

14.8 Fasten front and bottom of hood to brackets with self-drilling screws in every other panel flat similar to Step 14.6.

14.9 Fasten end trim pieces to end brackets with self-drilling screws as shown.